

# AV5155

**Arecont Vision**  
megapixel technology...  
beyond imagination

## 5 Megapixel H.264 IP MegaDome™ Camera

AV5155 (Color)

AV5155-1HK

AV5155DN (Day/Night)

AV5155DN-1HK

AV5155-16 (Color)

AV5155-16HK

AV5155DN-16 (Day/Night)

AV5155DN-16HK

### Arecont Vision Advantages:

#### All-in-one H.264 MegaDome™ Solution

- Integrated megapixel camera, lens (AVxx55: 4.5-10mm lens; AVxx55-16: 8-16mm lens), and IP66 dome housing
- Vandal resistant aluminum chassis with 4" polycarbonate dome bubble
- Easily adjustable 3-axis camera gimbal with 360° pan, 90° tilt and 360° z-axis
- Available in 1.3, 2, 3, and 5 MP sensor configurations with color only or Day/Night versions
- Supports both H.264 and MJPEG at full resolutions and full frame rates
- Heater kit versions for cold climate environments
- Surface mount with optional pendant mount, wall mount, pole mount, corner mount or electrical box adapter
- IP66 weatherproofing standard

#### H.264 (MPEG4 Part 10) Compression Standard

- Simultaneous support of both H.264 and MJPEG
- 10x average bandwidth and storage reduction over MJPEG

#### Multi-Streaming

- Up to 4 concurrent non-identical streams with different frame rates, bit rates, resolutions and picture quality

#### Bit Rate Control

- Maintain desired bandwidth and storage size

#### Real Time Streaming Protocol (RTSP)

- Allows for compatibility with media players such as Apple QuickTime, Windows Media Player, VLC Player, etc.

#### Superior Low Light Performance

- 1/2" CMOS Sensor

#### Unparalleled High Definition Resolution - 2592x1944

- Fifteen times the resolution of IP VGA or analog cameras

#### Fastest MegaPixel Image Rates

- Up to 9fps in 5 megapixel mode

#### Forensic Zooming

- Zoom live or after-event while recording full field of view in HD ... replace PTZ devices

#### Reduced Overall System Cost

- Less cameras to install, less wiring, no external power (POE), less NVR licensing fees

#### Full or 1/4 Resolution

- Can be used for either live viewing or archiving purposes

#### Other key features:

- Simultaneous full field of view and Region-of-Interest (ROI)
- Image cropping allows streaming of full density partial images
- On-camera motion detection
- Assembled 10W heater versions or separate heater module for retrofit
- Motorized IR Cut Filter (DN Version) and more

*The AV5155/5155-16 MegaDome™ series network camera is part of Arecont Vision's full line of H.264 megapixel cameras. This fully compliant implementation of H.264 (MPEG 4, Part 10) provides full 2592x1944 megapixel resolution at full video frame rates of 9fps. The MegaDome™ camera line provides an all-in-one solution with integrated megapixel camera, lens, and vandal resistant dome enclosure. Using MegaVideo® technology, these cameras offer bandwidth and storage efficiency of up to 10X on average over traditional megapixel counterparts.*

Learn more about our products at [www.arecontvision.com](http://www.arecontvision.com)

MegaDome™ Series

### Model Numbers:

AV5155 - Color  
 AV5155-1HK - Color w/Heater  
 AV5155DN - Day/Night  
 AV5155DN-1HK - Day/Night w/Heater

AV5155-16 - Color  
 AV5155-16HK - Color w/Heater  
 AV5155DN-16 - Day/Night  
 AV5155DN-16HK - Day/Night w/Heater

### Imaging

- 5 megapixel CMOS image sensor
- 2592(H) x 1944(V) pixel array
- 1/2.5" optical format
- 2.2 µm pixel pitch
- Bayer mosaic RGB filter
- Minimum illumination of:
  - Color: 0.3 Lux @ F1.4
  - Day/Night: 0 Lux, IR sensitive
- Dynamic range 60 dB
- Maximum SNR 45 dB

### Full Field of View (FOV) Resolutions

- 2592(H)x1944(V) 5 megapixel
- 1296(H)x968(V) 1/4 resolution

### Cropped Field of View Resolutions

- 2048x1536 3MP
- 1920x1200 WUXGA
- 1920x1080 HDTV-1080p
- 1600x1200 2MP
- 1280x1024 1.3MP
- 1280x720 HDTV-720p
- 1024x768 XGA
- 800x600 SVGA
- 704x570 PAL
- 704x480 NTSC
- 640x480 VGA
- 352x288 CIF
- 320x240 SIF

### Data Transmission

- Video frame rate up to:
  - 9fps @ 2592x1944
  - 12fps @ 2560x1600
  - 15fps @ 2048x1536
  - 24fps @ 1600x1200
  - 32fps @ 1280x1024
- Compression type:
  - H.264 (MPEG4, Part 10)
  - Motion JPEG
  - 21 levels of quality
- TFTP, HTTP, RTSP image transmission protocols
- 100Base-T Ethernet Network Interface
- Data rate:
  - bit rate control from 100Kbps to 10Mbps
  - bit rate control available for full view, multi view, and archive
  - unthrottled data rate in MJPEG up to 55Mbps

### Programmability

- Auto Exposure (AE) and Gain Control (AGC) >120dB
- On-camera real-time motion detection with 64 detection zones
- Programmable backlight compensation
- Auto multi-matrix white balance
- 50/60Hz selectable flicker control
- Electronic pan, tilt, zoom (PTZ)
- Electronic image flip - 180 degree rotation
- Resolution windowing down to 32x32 pixels window
- Programmable shutter speed to help control motion blur
- MoonLight™ mode - extended exposure and proprietary noise cancellation
- Programmable resolution, brightness, saturation, gamma, sharpness, tint
- Picture-in-Picture: simultaneous delivery of full field of view and zoomed images
- Bandwidth & storage savings by running at 1/4 resolution

### Camera Electrical

- Opto-coupled alarm or trigger input, opto-coupled alarm and flash sync output
- Power over Ethernet (PoE): PoE 802.3af
- DC input: auxiliary 12V-48V DC
- Power consumption 5 Watts maximum

### Heater Electrical

- Voltage Input: 10V to 50V DC (separate power required)
- Power Output: 10W Max
- Switch: On: 17C° (62.6 °F), Off: 30 °C (86 °F)

### Regulatory Approvals

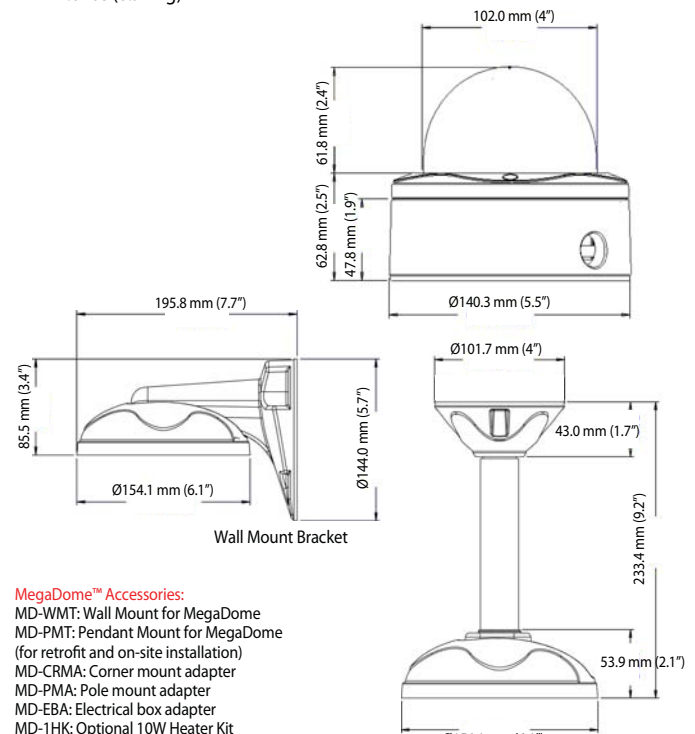
- FCC, Class A
- CE and RoHs compliant

### Environmental

- IP66 weatherproofing standard
- Operating temperature:
  - No heater: 0°C (32°F) to +50°C (122°F)
  - With heater: -30°C (-22°F) to +50°C (122°F)
- Storage temperature: -20°C (-4°F) to +60°C (140 °F)
- Humidity: 0% to 90% (non condensing)

### Mechanical

- Easily adjustable 3-axis camera gimbal with 360° pan, 90° tilt and 360° z-axis
- Die-cast aluminum chassis with 4" polycarbonate dome bubble
- Total Unit dimensions:
  - Ø5.5 x 4.9 in (H), bubble only: Ø4.0 x 2.4 in (H)
  - Ø140.3 x 124.6 mm (H), bubble only: Ø102 x 61.8 mm (H)
- 2.0 lbs (0.91 kg)



### MegaDome™ Accessories:

- MD-WMT: Wall Mount for MegaDome
- MD-PMT: Pendant Mount for MegaDome (for retrofit and on-site installation)
- MD-CRMA: Corner mount adapter
- MD-PMA: Pole mount adapter
- MD-EBA: Electrical box adapter
- MD-1HK: Optional 10W Heater Kit

### Lens:

- Integrated 4.5-10mm Megapixel Varifocal Lens (AVxx55 models)
- Integrated 8-16mm Megapixel Varifocal Lens (AVxx55-16 models)

Ø - Diameter  
 Pendant Mount Bracket



Revised on 10/01/09

Made in USA